

RAZZA - Horizontal Windlass

500W / 800W



Minimal Footprint, Real Power

Main features

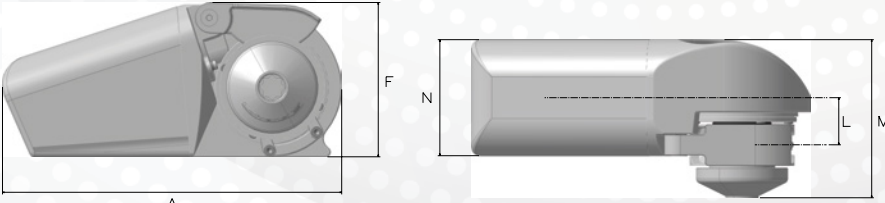
- ✔ Marine-grade AISI 316L stainless steel construction with premium mirror-polished finish
- ✔ Manual chain release also available
- ✔ Available with real 500W and 800W power motor options, for uncompromising performance
- ✔ Chain & rope management by the spring loaded finger
- ✔ IP67 motor cover
- ✔ Delivered with rocker switch
- ✔ Chain counter sensor & magnet preinstalled
- ✔ Ideal for boats up to 40 feet

Construction	AISI 316L Stainless Steel	
	500 W	800 W
Motor Size		
Power Supply (V)	12	12
Maximum Pull (kg)	630	900
Working Load (kg)	95	125
Amps at Working Load (A)	65	80
Line Speed at Working Load (m/min)	18	20
Max. Line Speed (m/min)	24	25
Net Weight (kg)	13.5	13.5

RAZZA	Code		Code	
	6mm, ISO 4565	10-12 mm, 3-strand	636738	636740
	8mm, ISO 4565 / DIN 766	12-14 mm, 3-strand	636739	636699
	7mm, ISO 4565	10-12-14 mm, 3-strand	600135	600136

*For additional options on compatible gypsies, please check below.
If you are interested in an alternative configuration not listed above or any other special product, please contact our team.*

Dimensions (mm)



Model	A	F	L	M	N
500 W	319	145	44	149	109
800 W					

Made in Italy